
RENAISSANCE

TILE
&
BATH

SPECIFICATIONS

Natural Stone

APPLICATIONS:

All natural stone collections are recommended for interior use. Depending on the climate and other factors, certain natural stone collections are acceptable for exterior use. Consult a Renaissance Tile & Bath design consultant.

PROPERTIES:

All natural stone collections are subject to variation in color, shade and veining. These characteristics are inherent in natural stone products and are seen as part of the its beauty.

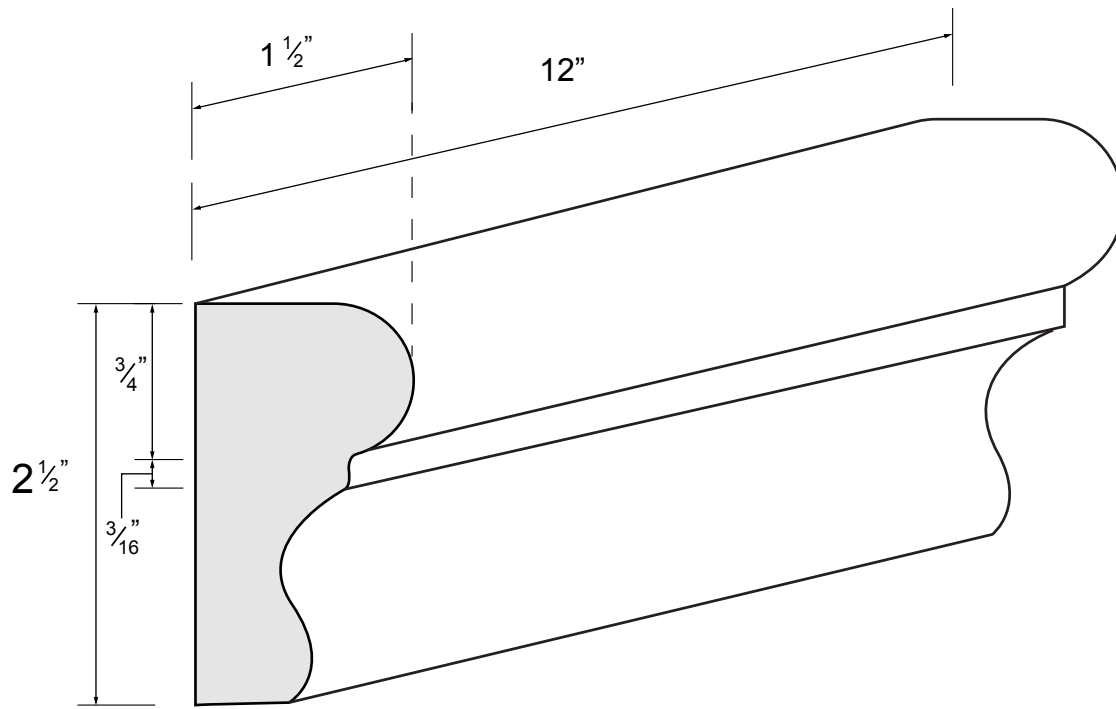
INSTALLATION

It is important to select a qualified installer with experience installing the materials specified. All materials should be inspected and approved before installation. Installation constitutes acceptance of the product. For specific installation instructions, consult the *Handbook for Ceramic Tile Installation* from the Tile Council of North America, Inc.

To ensure satisfactory results, it is recommended that all materials be blended and laid out prior to installation. For long-term maintenance and beauty, all natural stone products should be properly sealed with the appropriate tile and grout sealer. For lasting beauty and performance, it is recommended that the product is sealed periodically throughout the life of the installation.

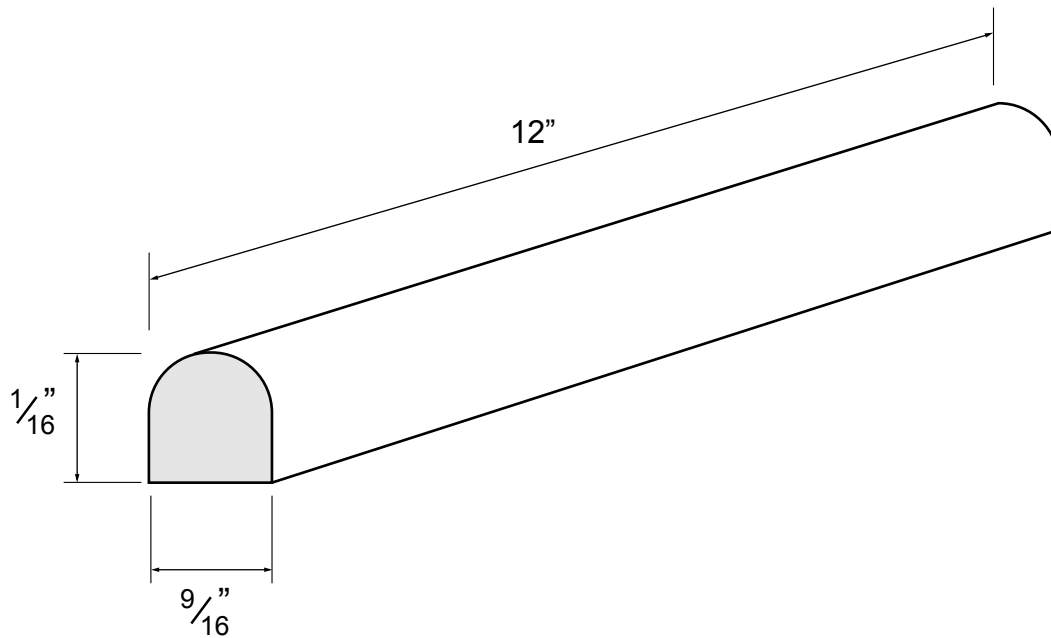
CARE AND MAINTENANCE

Most general cleaning can be done with a non-abrasive cloth and a pH-balanced cleaner. Cleaning products containing chlorine and ammonia should be avoided, as they could etch the surface of the tile. For additional general cleaning questions, contact a Renaissance Tile & Bath design consultant for further information.



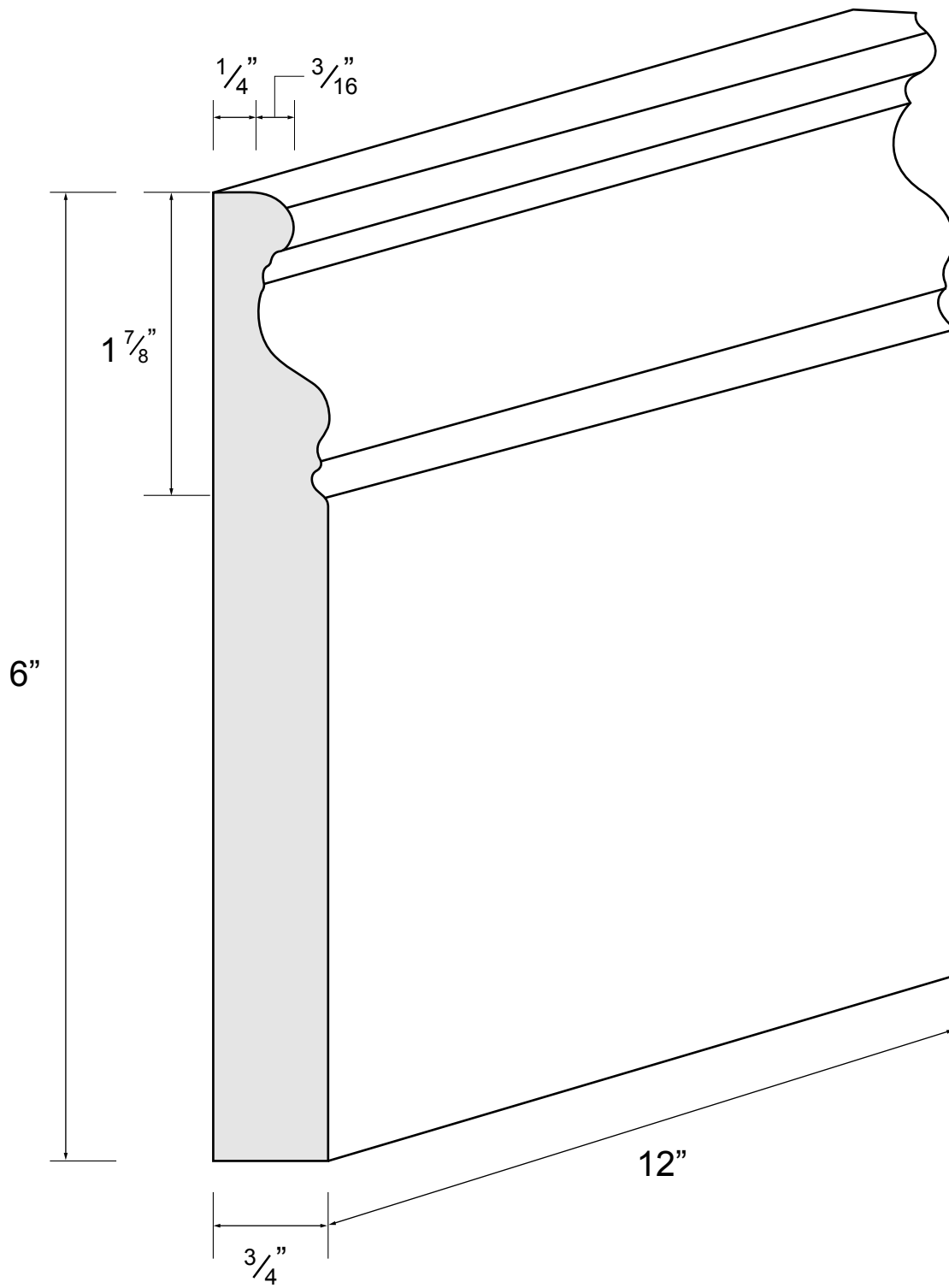
CHAIR RAIL

*NOT TO SCALE



PENCIL MOLDING

*NOT TO SCALE



BASE MOLDING

*NOT TO SCALE