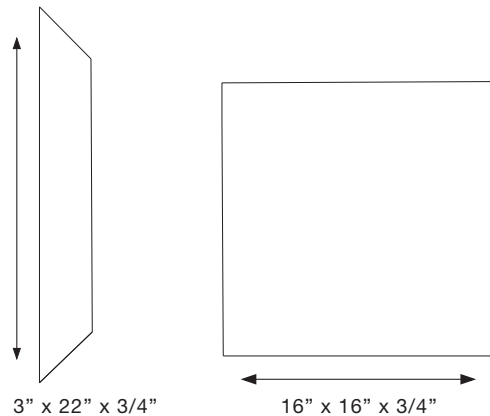
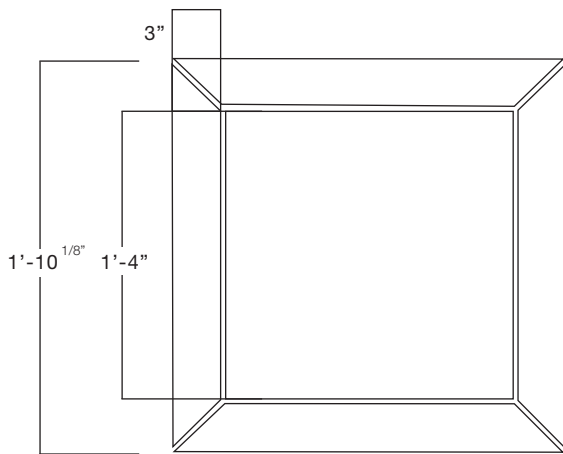


RENAISSANCE TILE & BATH

SPECIFICATIONS

Natural Stone



FULL REPEAT:

22" x 22" x 3/4" | 3.48 SF PATTERN
PATRIMOINE FINISH 3/4" THICK

PATTERN CONSISTS OF:

1 piece of 16" x 16" x 3/4" (1 field tile per pattern)
4 pieces of 3" x 22" x 3/4" (4 frame pieces per pattern)

APPLICATIONS:

All natural stone collections are recommended for interior use. Depending on the climate and other factors, certain natural stone collections are acceptable for exterior use. Consult a Renaissance Tile & Bath design consultant.

PROPERTIES:

All natural stone collections are subject to variation in color, shade and veining. These characteristics are inherent in natural stone products and are seen as part of the its beauty.

INSTALLATION:

Recommended installation material rapid thin set. It is important to select a qualified installer with experience installing the materials specified. All materials should be inspected and approved before installation. Installation constitutes acceptance of the product. Refer to TCNA installation guidelines for limestone. Rapid thin set recommended for best results.

To ensure satisfactory results, it is recommended that all materials be blended and laid out prior to installation. For long-term maintenance and beauty, all natural stone products should be properly sealed with the appropriate tile and grout sealer. For lasting beauty and performance, it is recommended that the product is sealed periodically throughout the life of the installation.

CARE AND MAINTENANCE:

Most general cleaning can be done with a non-abrasive cloth and a pH-balanced cleaner. Cleaning products containing chlorine and ammonia should be avoided, as they could etch the surface of the tile. For additional general cleaning questions, contact a Renaissance Tile & Bath design consultant for further information.